

References

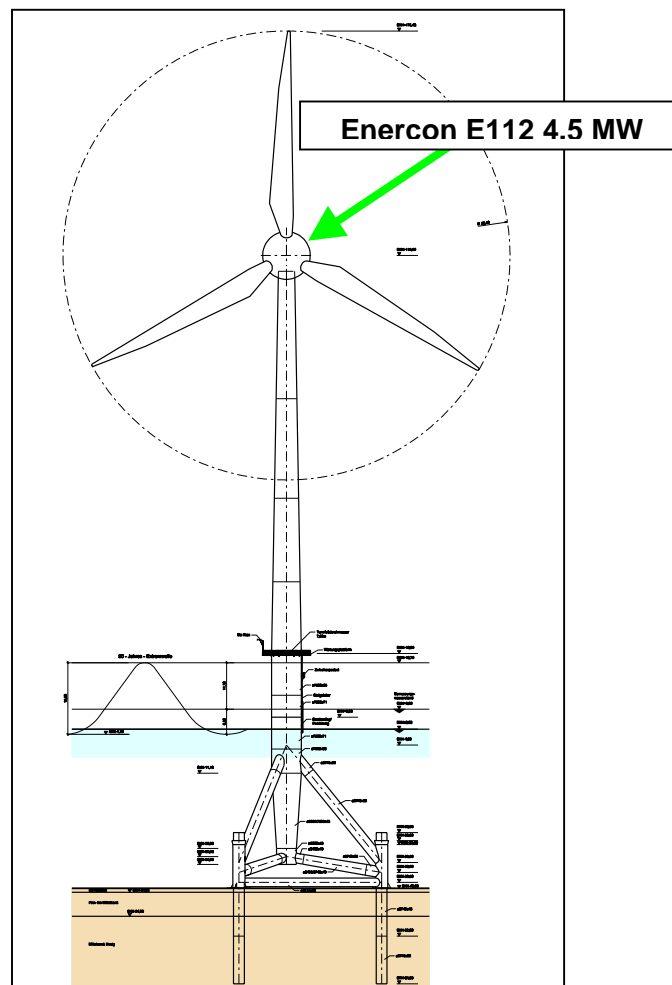
Project: Offshore Wind Park GLOBALTECH I
Engineering and Consulting Services

Period: 2003

Client: Nordsee Windpower GmbH & Co. KG
Sulingen

Short Description: IMS was required to provide the following engineering services:

- Definition of design basis for 5 MW-wind energy facility (here: Enercon E112)
- Investigation of environmental conditions
- Preliminary design of a Tripod support structure for a design water depth of 40 m
- Development of offshore installation concept for support structure and wind energy facility
- Development of offshore maintenance concept for support structure
- Development of offshore decommissioning concept for support structure and wind energy facility.



Tripod Support Structure