

## References

**Project:** Onshore Windpark Kesfeld, Germany

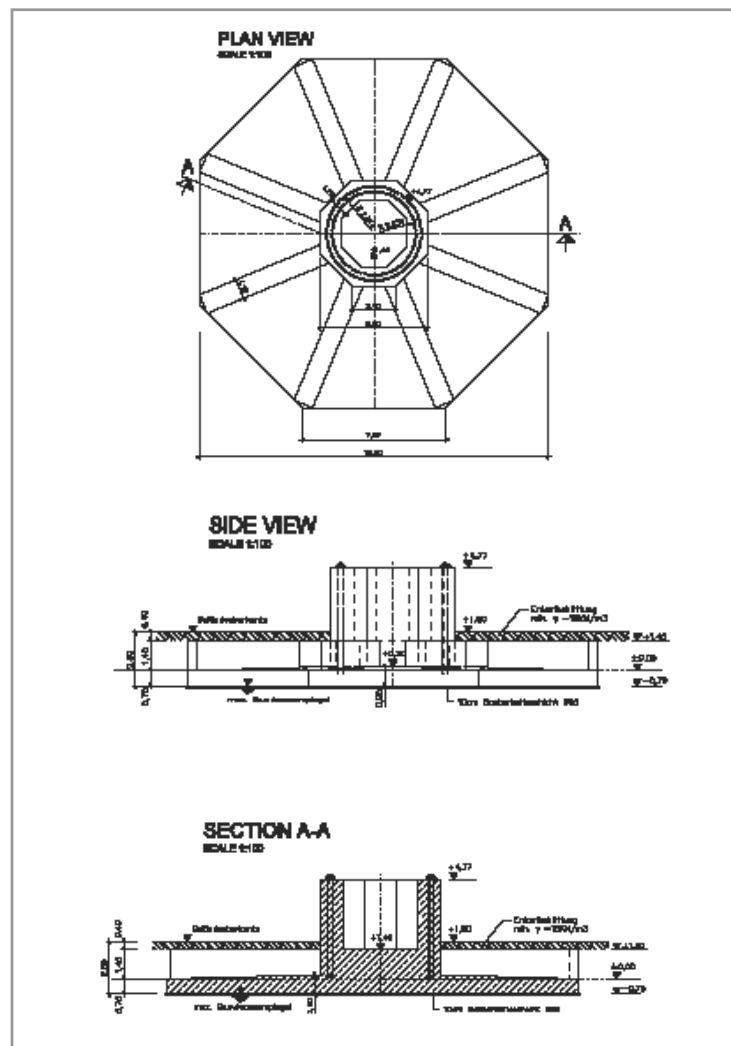
**Period:** August 2005

**Client:** Siemens Wind Power A/S, DK-Brande

**Short Description:** Final design of a gravity foundation for the onshore Wind Farm Kesfeld, Germany

Final design of a gravity foundation onshore for Siemens/Bonus 2.3 MW mkII wind turbine with a hub height of 103 m near the city of Trier (Kesfeld). Final design ready for type approval.

Geotechnical design, FEM-calculations (ULS, FLS, SLS) as well as construction of foundation incl. reinforcement, bending bar tables and bill of quantities.



Onshore gravity foundation for AN-Bonus 2,3 MW mk II